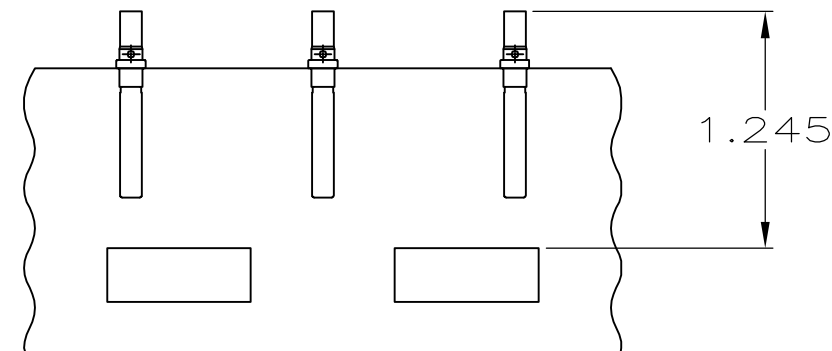


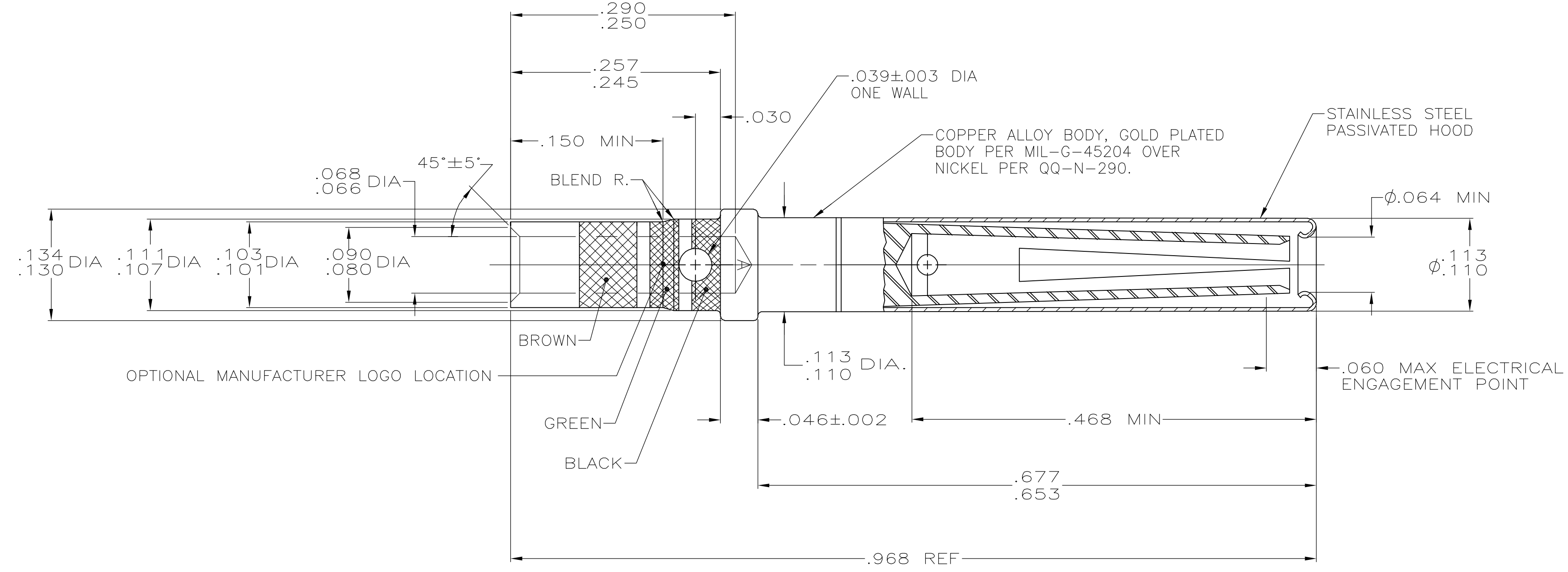
THIS DRAWING IS UNPUBLISHED. RELEASED FOR PUBLICATION
 © COPYRIGHT BY TYCO ELECTRONICS CORPORATION. ALL RIGHTS RESERVED.

LOC	DIST	REVISIONS					
DF	A0	P	LTR	DESCRIPTION	DATE	DWN	APVD
		L		REV PER EC 0H14-0154-04	24JAN06	TK	CT



TAPE MOUNTED ASSEMBLY (-2 ONLY)

- 205117-1 1. AS SHOWN
- 205117-2 1. SAME AS -1 EXCEPT: MOUNTED ON MYLAR TAPE.
- 205117-3 1. SAME AS -1 EXCEPT: COLOR CODE TO BE SINGLE BLUE BAND.



1. WHEN ORDERING CONTACT ON TAPE, ORDER BY THE TAPE NUMBER PLUS THE PACKAGING CODE AS FOLLOWS:
 1. FOR USE WITH AMP TAPETRONIC, PNEUMATIC TOOL-
 - A. 1000 PARTS TO A BOX ADD PACKAGING CODE: 1MBOX
 2. FOR USE WITH 4/8 INDENT STRIPPER CRIMPER-
 - A. 1000 PARTS TO A REEL ADD PACKAGING CODE: 1MREEL
 - B. 5000 PARTS TO A REEL ADD PACKAGING CODE: 5MREEL
2. POINT OF PLATING THICKNESS MEASUREMENT .100/.150 FROM WIRE BARREL END EXTERIOR.

THIS DRAWING IS A CONTROLLED DOCUMENT.		DWN J.LINDERMAN 3-24-93	Tyco Electronics Corporation Harrisburg, PA 17105-3608	
DIMENSIONS: INCHES		CHK A.SHARPE 3-26-93		
TOLERANCES UNLESS OTHERWISE SPECIFIED:		APVD -	NAME CONTACT ASS'Y #16 SOCKET ARINC 404 REAR RELEASE	
0 PLC ± -		PRODUCT SPEC -	SIZE CAGE CODE DRAWING NO RESTRICTED TO	
1 PLC ± -		APPLICATION SPEC -	A2 00779 C=205117	
2 PLC ± -		WEIGHT -	SCALE 10:1 SHEET 1 OF 1 REV L	
3 PLC ± .005		CUSTOMER DRAWING		
4 PLC ± -				
ANGLES ± -				
FINISH -				

CUSTOMER DRAWING